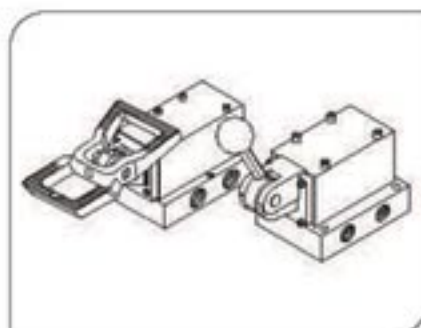


### "HPC" Make S series Poppet type Manual Valves

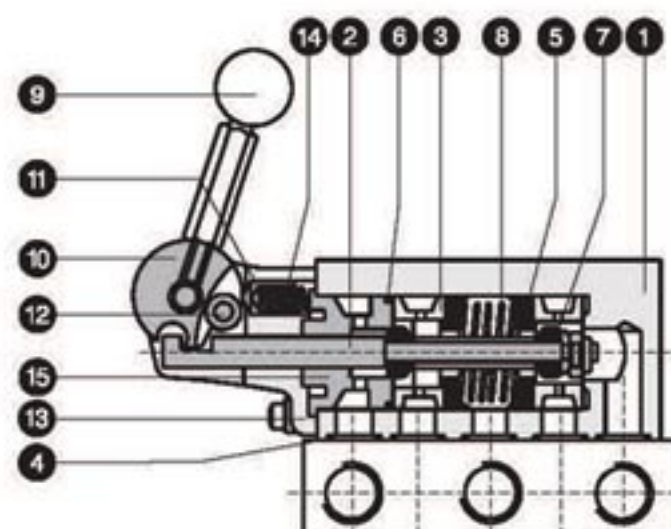
Size: 1/4" to 1" BSP  
Type: 5/2 way  
offered in 3/8" & 3/4" Basic

**Salient Features**

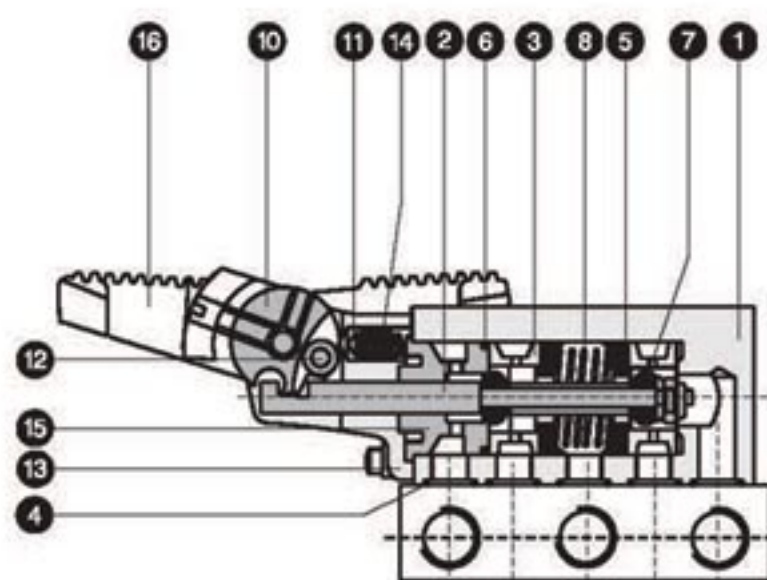
- \* Robust design
- \* High flow Valves
- \* Long Life of seals
- \* Ideal for adverse air conditions



Part List			
No.	Description	Qty.	
		Hand Level Optd.	Foot Lever Optd.
1	Valve	1	1
2	Poppet and piston assly.	1	1
3	Spool	2	2
4	'O' ring for sub base plate	5	5
5	Inlet seals	2	2
6	'O' ring for retainer	1	1
7	Outlet seals	2	2
8	Spring (Body)	1	1
9	Hand lever assembly	1	-
10	Disc	1	1
11	Detent	1	1
12	Roller	1	1
13	Bracket	1	1
14	Detent spring	1	1
15	Retainer	1	1



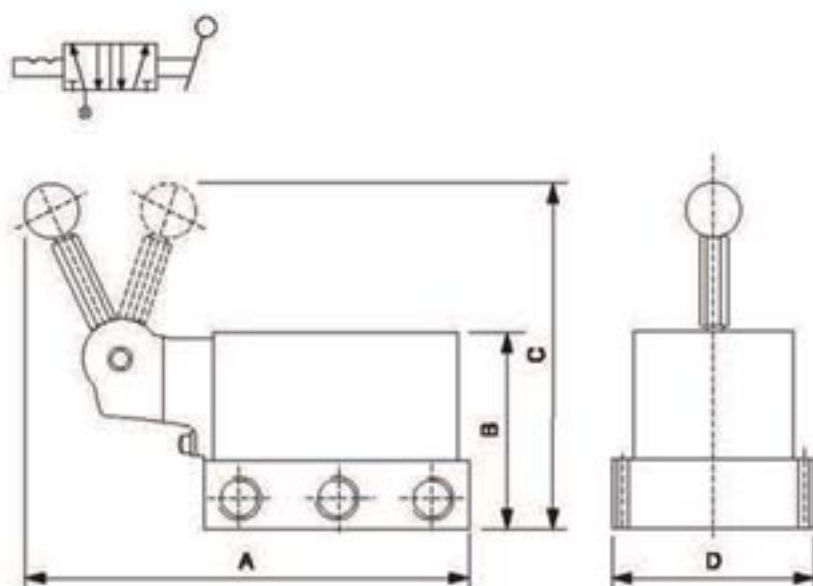
Hand Lever Operated Poppet Valve



Foot Lever Operated Poppet Valve

Seal kit consists of items 4,5,6 & 7

### G1/4 - G1, 5/2 Hand Lever Operated Poppet Valve



	SIZE	A	B	C	D
3/8" Basic	G 1/4	185	76	150	76
	G 3/8	185	76	150	76
	G 1/2	185	81	150	76
3/4" Basic	G 1/2	220	100	210	95
	G 3/4	220	105	215	95
	G 1	225	115	225	102

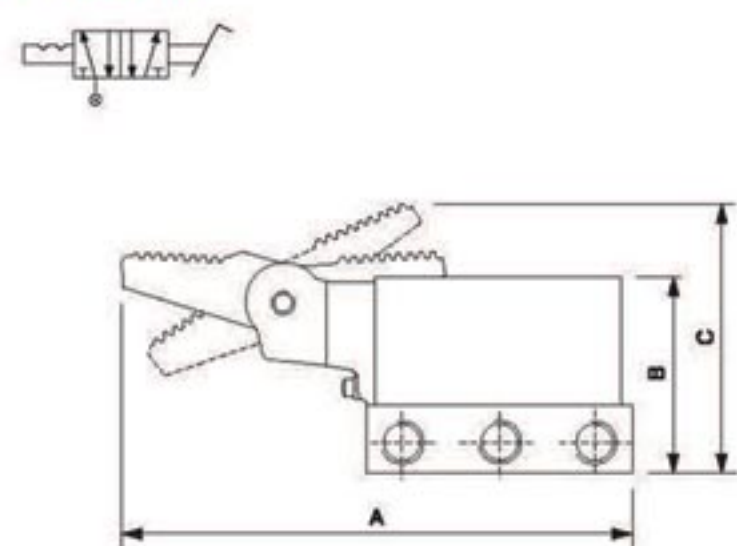
**Model Nos.**

	Valve Size	Valve with	Base plate	Seal kit
3/8" Basic	1/4" Hand Lever Valve	HPC-S-P-2-HLV-4	HPC-S-P-2-HLV-4-BP	HPC-S-P-2-HLV-4-SK
	3/8" Hand Lever Valve	HPC-S-P-3-HLV-4	HPC-S-P-3-HLV-4-BP	HPC-S-P-3-HLV-4-SK
	1/2" Hand Lever Valve	HPC-S-P-4-HLV-4	HPC-S-P-4-HLV-4-BP	HPC-S-P-4-HLV-4-SK
3/4" Basic	1/2" Hand Lever Valve	HPC-S-P-4-HLV-4	HPC-S-P-4-HLV-4-BP	HPC-S-P-4-HLV-4-SK
	3/4" Hand Lever Valve	HPC-S-P-5-HLV-4	HPC-S-P-5-HLV-4-BP	HPC-S-P-5-HLV-4-SK
	1" Hand Lever Valve	HPC-S-P-6-HLV-4	HPC-S-P-6-HLV-4-BP	HPC-S-P-6-HLV-4-SK

**Specifications**

Medium	Compressed air, Filtered					
Design	Poppet type					
Working pressure	0 - 10 Kg./sq. cm.					
Ambient / fluid temp. -	10° to 55° C					
Cv (Nominal flow)	3/8" Basic			3/4" Basic		
	1/4"	3/8"	1/2"	1/2"	3/4"	1"
	1.9	2.04	2.38	5.4	5.8	5.8
Materials	Body, Base: Aluminium \ Seals : NBR					

### G 1/4 - G 1, 5/2 - Foot Lever Operated Poppet Valve



	SIZE	A	B	C	WIDTH
3/8" Basic	G 1/4	190	76	125	76
	G 3/8	190	76	125	76
	G 1/2	190	81	130	76
3/4" Basic	G 1/2	275	100	161	95
	G 3/4	275	105	165	95
	G 1	280	115	175	102

**Model Nos.**

	Valve Size	Valve with	Base plate	Seal kit
3/8" Basic	1/4" Foot Lever Valve	HPC-S-P-2-FLV-4	HPC-S-P-2-FLV-4-BP	HPC-S-P-2-FLV-4-SK
	3/8" Foot Lever Valve	HPC-S-P-3-FLV-4	HPC-S-P-3-FLV-4-BP	HPC-S-P-3-FLV-4-SK
	1/2" Foot Lever Valve	HPC-S-P-4-FLV-4	HPC-S-P-4-FLV-4-BP	HPC-S-P-4-FLV-4-SK
3/4" Basic	1/2" Foot Lever Valve	HPC-S-P-4-FLV-4	HPC-S-P-4-FLV-4-BP	HPC-S-P-4-FLV-4-SK
	3/4" Foot Lever Valve	HPC-S-P-5-FLV-4	HPC-S-P-5-FLV-4-BP	HPC-S-P-5-FLV-4-SK
	1" Foot Lever Valve	HPC-S-P-6-FLV-4	HPC-S-P-6-FLV-4-BP	HPC-S-P-6-FLV-4-SK

**Specifications**

Medium	Compressed air, Filtered					
Design	Poppet type					
Working pressure	0 - 10 Kg./sq. cm.					
Ambient / fluid temp. -	10° to 55° C					
Cv (Nominal flow)	3/8" Basic			3/4" Basic		
	1/4"	3/8"	1/2"	1/2"	3/4"	1"
	1.9	2.04	2.38	5.4	5.8	5.8
Materials	Body, Base: Aluminium \ Seals : NBR					