

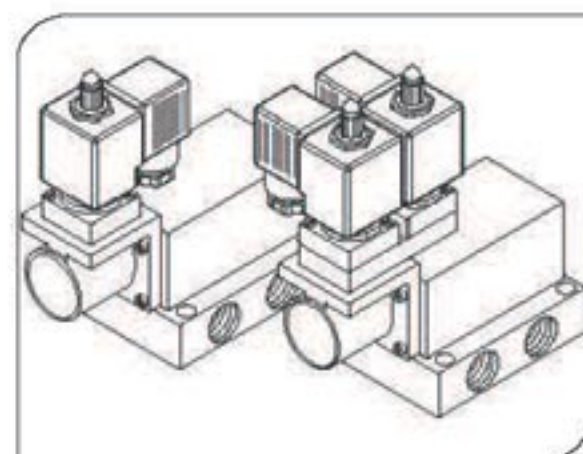
"HPC" Make S series Poppet type Solenoid Valves

Size: 1/4" to 1" BSP
offered in 3/8" & 3/4" Basic

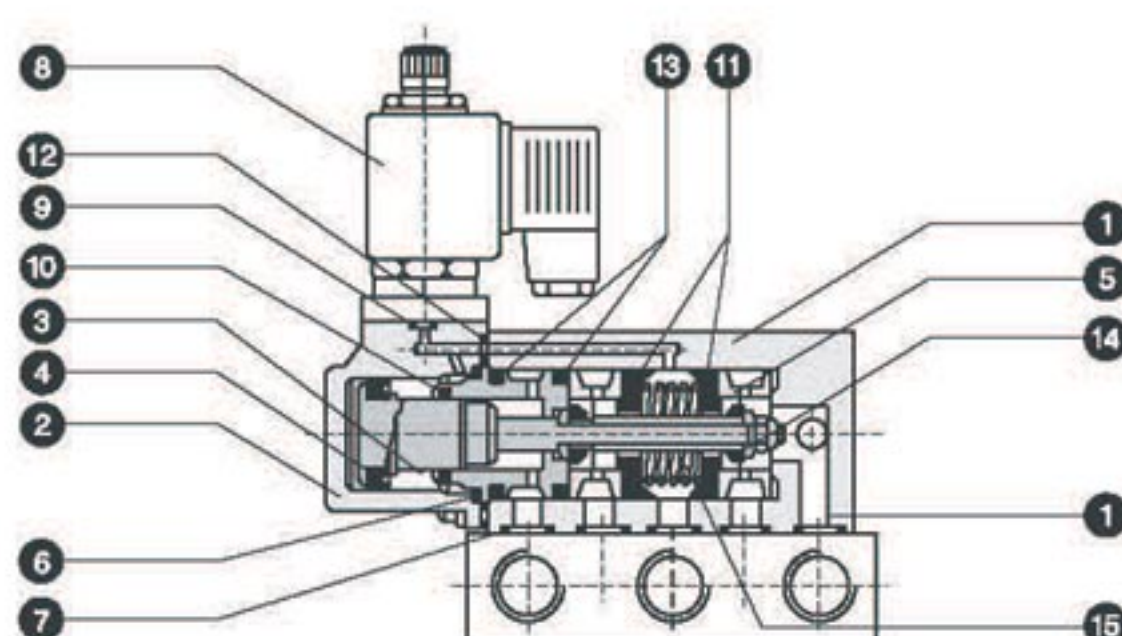
Type: 5/2 way

Salient Features

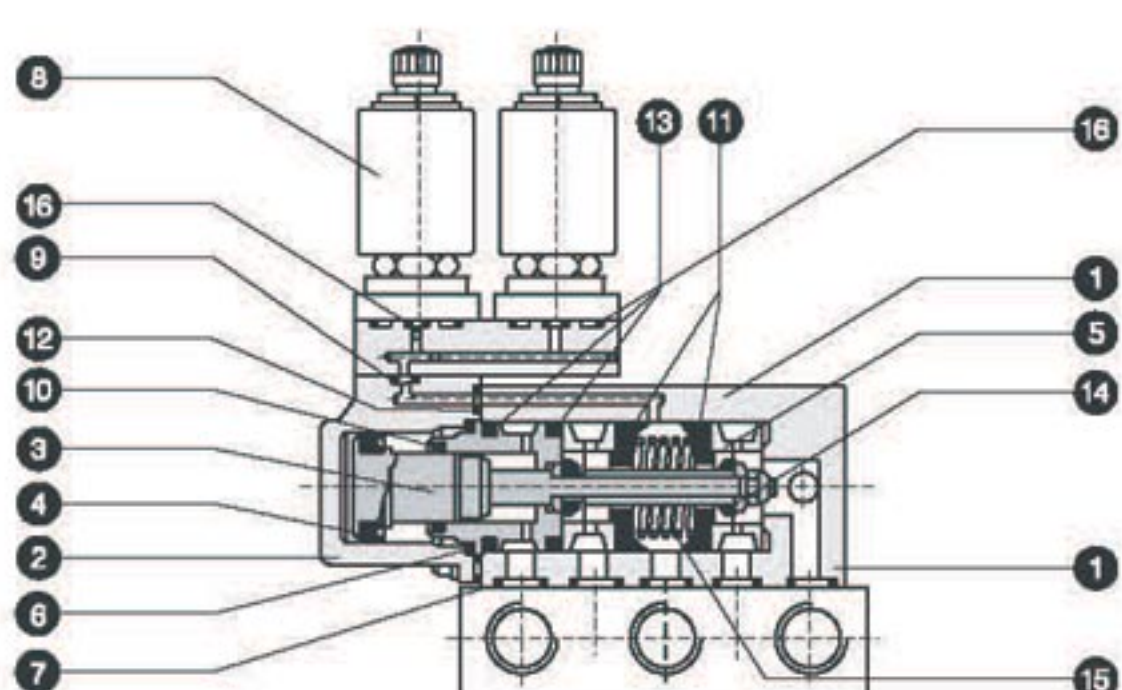
- * Robust design
- * High flow Valves
- * Long Life of seals
- * Ideal for adverse air conditions



No.	Description	Part List	
		Single Sol.	Double Sol.
1	Valve body	1	1
2	Pilot housing	1	1
3	Poppet and piston assly.	1	1
4	'U' cup packing	1	1
5	Spool	1	1
6	Gasket	1	1
7	'O' ring (sub base plate)	5	5
8	Coil assembly	1	2
9	'O' ring (solenoid housing)	1	2
10	'O' ring (poppet assly.)	1	1
11	Inlet seals	2	2
12	'O' ring (pilot housing)	1	1
13	'O' ring (retainer)	2	2
14	Outlet seals	2	2
15	Spring	1	1
16	'O' ring (Double sol. housing)	-	4



5/2 Single Solenoid Poppet Valve



5/2 Double Solenoid Poppet Valve

Seal kit consists of items 4, 6, 7, 9, 10, 11, 12, 13 & 14 for single solenoid valve.

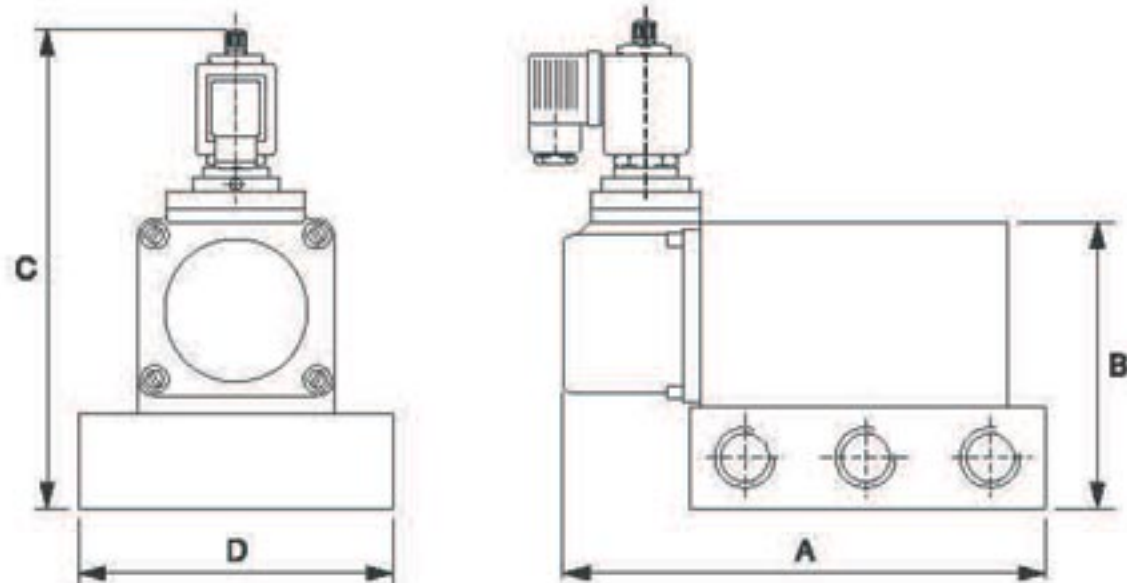
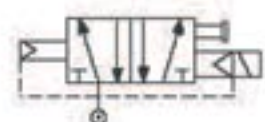
Seal kit consists of items 4, 6, 7, 9, 10, 11, 12, 13, 14 & 16 for double solenoid valve.

Coil Specifications

Type	Valve with G25 coil
Tube Assy. construction	SS Plunger with NBR seals, SS magnet core assembled with brass adaptor.
Coil voltages	AC : 24, 42, 48, 110, 240 V 50Hz DC : 12, 24, 48 V
Voltage range	+ 10%
Power consumption	AC : Pull 7.5 VA, Hold : 5 VA DC : 3 WATT
Duty cycle	100%
Class of insulation	F (Winding wire of class 'H' insulation)
Degree of protection	IP 65 - IS 2147
Cable connector	DIN 43650 - PG 11

* Poppet valve is also offered with flame-proof coil duly certified by CMRS Dhanbad for grades I, IIA, IIB. Refer data sheet PMV-07 for details.

5/2 Single Solenoid Poppet Valve



	SIZE	A	B	C	D
3/8" Basic	G 1/4	142	76	165	76
	G 3/8	142	76	165	76
	G 1/2	142	81	170	76
3/4" Basic	G 1/2	201	100	181	95
	G 3/4	201	105	186	95
	G 1	210	115	196	102

Model Nos.

	Valve Size	Valve with	Base plate	Seal kit
3/8" Basic	1/4" Single Sol. Valve	HPC-S-P-2-SSV-4*-S	HPC-S-P-2-SSV-4*-S-BP	HPC-S-P-2-SSV-4*-S-SK
	3/8" Single Sol. Valve	HPC-S-P-3-SSV-4*-S	HPC-S-P-3-SSV-4*-S-BP	HPC-S-P-3-SSV-4*-S-SK
	1/2" Single Sol. Valve	HPC-S-P-4-SSV-4*-S	HPC-S-P-4-SSV-4*-S-BP	HPC-S-P-4-SSV-4*-S-SK
3/4" Basic	1/2" Single Sol. Valve	HPC-S-P-4-SSV-4*-S	HPC-S-P-4-SSV-4*-S-BP	HPC-S-P-4-SSV-4*-S-SK
	3/4" Single Sol. Valve	HPC-S-P-5-SSV-4*-S	HPC-S-P-5-SSV-4*-S-BP	HPC-S-P-5-SSV-4*-S-SK
	1" Single Sol. Valve	HPC-S-P-6-SSV-4*-S	HPC-S-P-6-SSV-4*-S-BP	HPC-S-P-6-SSV-4*-S-SK

Specifications

Medium	Compressed air, Filtered
Design	Poppet type with spring return
Working pressure	1.5 - 10 Kg./sq. cm.
Ambient / fluid temp.	- 10° to 85° C
Cv (Nominal flow)	3/8" Basic
	1/4" 3/8" 1/2"
	1.9 2.04 2.38 5.4 5.8 5.8
Manual override	Screw type, Detent
Optional feature	PIC with light indicator, Explosion proof coil
Response time	On time : 35 ms.
	at 5 Bar Off time : 45 ms.
Materials	Body, Base, Pilot Housing : Aluminium Seals : NBR

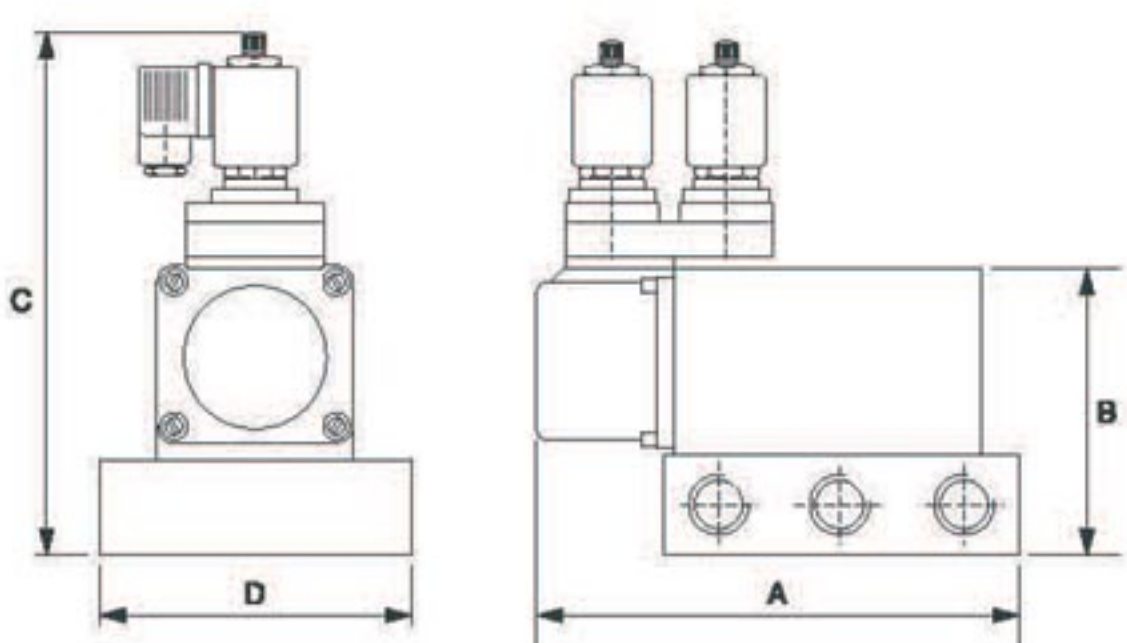
Model Nos.

	Valve Size	Valve with	Base plate	Seal kit
3/8" Basic	1/4" Double Sol. Valve	HPC-S-P-2-DSV-4*-S	HPC-S-P-2-DSV-4*-S-BP	HPC-S-P-2-DSV-4*-S-SK
	3/8" Double Sol. Valve	HPC-S-P-3-DSV-4*-S	HPC-S-P-3-DSV-4*-S-BP	HPC-S-P-3-DSV-4*-S-SK
	1/2" Double Sol. Valve	HPC-S-P-4-DSV-4*-S	HPC-S-P-4-DSV-4*-S-BP	HPC-S-P-4-DSV-4*-S-SK
3/4" Basic	1/2" Double Sol. Valve	HPC-S-P-4-DSV-4*-S	HPC-S-P-4-DSV-4*-S-BP	HPC-S-P-4-DSV-4*-S-SK
	3/4" Double Sol. Valve	HPC-S-P-5-DSV-4*-S	HPC-S-P-5-DSV-4*-S-BP	HPC-S-P-5-DSV-4*-S-SK
	1" Double Sol. Valve	HPC-S-P-6-DSV-4*-S	HPC-S-P-6-DSV-4*-S-BP	HPC-S-P-6-DSV-4*-S-SK

Specifications

Medium	Compressed air, Filtered
Design	Poppet type
Working pressure	0 - 10 Kg./sq. cm.
Ambient / fluid temp. -	10° to 55° C
Cv (Nominal flow)	3/8" Basic
	1/4" 3/8" 1/2"
	1.9 2.04 2.38 5.4 5.8 5.8
Materials	Body, Base: Aluminium \ Seals : NBR
Manual override	Screw type, Detent
Optional feature	PIC with light indicator, Explosion proof coil
Response time	On time : 35 ms.
	at 5 Bar Off time : 45 ms.
Materials	Body, Base, Pilot Housing : Aluminium Seals : NBR

5/2 Double Solenoid Poppet Valve



	SIZE	A	B	C	WIDTH
3/8" Basic	G 1/4	142	76	175	76
	G 3/8	142	76	175	76
	G 1/2	142	81	180	76
3/4" Basic	G 1/2	201	100	180	95
	G 3/4	201	105	197	95
	G 1	210	115	208	102