

5/2-way NAMUR control valve

Standard version Type NM-521-H (Brand: bar)

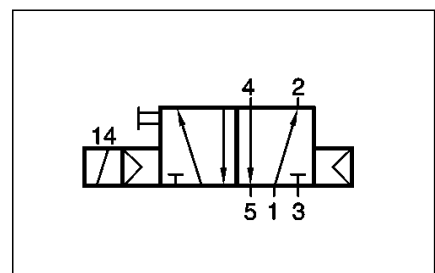
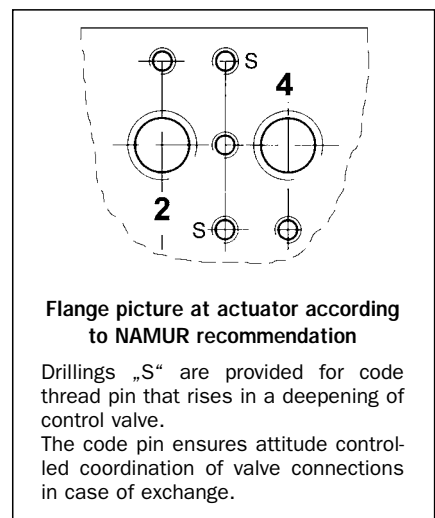
Product description

5/2-way NAMUR control valve for driving double-acting actuators of types GTD, GCD and ETD.

The valve will be supplied mounted at actuator, but it is also available as single component.

Technical data

Type	piston slide valve with differential piston (air spring)
Type of connection	flange according to NAMUR, at 2 and 4 G1/4", at 1, 3 and 5
Nominal width	7 mm
Operating pressure	2 to 10 bar
Temperature range	-20° to +70°C, explosion proofed -10° to +50° C
Protective system, - standard - explosion proofed	IP65 nach VDE 0470/EN 60529 with plug for cables Ø6-8mm; 0,75-1 mm ² EEx m II T4 casted-on with cable, cable length 3,0 m, type: H052V2V-3G1
Operating time	100%
Materials	casing: aluminium inner parts: brass, aluminium, synthetic seals: NBR (perbunan)
Manual override	standard
Standard voltages and power consumption	standard version: 230 V/AC: 5,0 [VA] 24 V/DC : 3,0 [W] explosion proofed version (EEx m II T4): 230 V/AC: 5,1 [VA] 24 V/DC : 5,0 [W]
Characteristic features	Fastening screws, code pin and seals belong to delivery range. Throttling of exhaust air possible at connection 3 and 5 Order designation for throttles types SDR and FDS see leaflet no. Z2-11e. . .

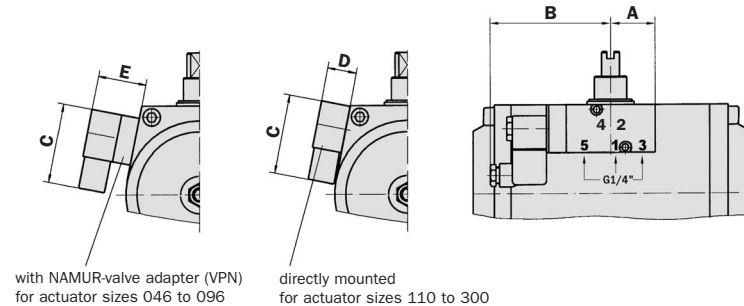


5/2-way NAMUR control valve

Standard version

Type NM-521-H (Brand: bar)

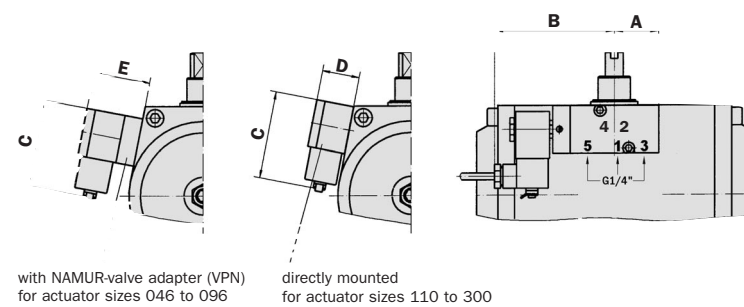
Fig. 1: Mounting dimensions at standard versions



with NAMUR-valve adapter (VPN)
for actuator sizes 046 to 096

directly mounted
for actuator sizes 110 to 300

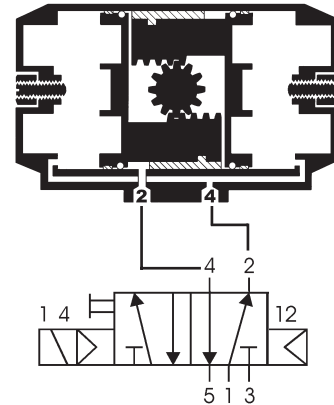
Fig. 2: Mounting dimensions at explosion proofed version (EEx m II T4)



with NAMUR-valve adapter (VPN)
for actuator sizes 046 to 096

directly mounted
for actuator sizes 110 to 300

Standard mounting of valves



Information about mounting at actuators

Normally mounting is done as above and as shown in picture 1 and 2. (Drive in basic position, piston inwards.)

A differing assembling has to be agreed on, especially at complete mounting on valves.

for actuator type	valve version	Brand	connection thread	DN	A	B	C	D	E
GTD/GCD/ETD 046 to 300	standard	bar	1/4"	7	35	99	67	22	34
GTD/GCD/ETD 046 to 300	explosion proofed	bar	1/4"	7	35	99	67	22	34

Standard version

one sided electrically actuated

Designation	Brand	DN	Operating pressure [bar]
NM-521-H-230/AC	bar	7	1,5 to 10
NM-521-H-24/DC	bar	7	1,5 to 10
NM-521-H-xx/xx	bar	7	1,5 to 10

Explosion proofed (EEx = Explosion protection EEx m II T4)

NM-521-H-230/AC-EEx	bar	7	1,5 to 10
NM-521-H-24/DC-EEx	bar	7	1,5 to 10
NM-521-H-xx/xx-EEx	bar	7	1,5 to 10

xx/xx = **Special voltage**, please indicate designation with voltage.

Other valve types on request

Explosion proofed EEx ia II C T6 on request

bar GmbH
Auf der Hohl 1
53547 Dattenberg / Germany
Phone: +49 (0) 26 44 - 96 07-0
Fax: +49 (0) 26 44 - 96 07 35

www.bar-gmbh.com
eMail: sales@bar-gmbh.com



certificated acc. to DIN EN ISO 9001

bar