

Accessories for pneumatic actuators

Throttles, Type SDR and FDS (for double-acting actuators)

Throttle plate, Type NDPE (for single-acting actuators)

Valve adapter, Type VPN

Product description

Outgoing air throttles type SDR and fine throttles type FDS are screwed in areating connections of control valves.

By throttling outgoing air the slew rate of double-acting actuators depending on control valve can be adjusted independent from each other in both positioning directions.

Integrated silencer reduce sounds of air escape.

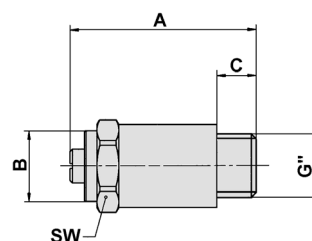
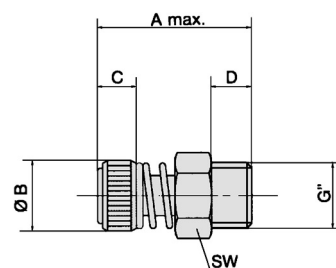
Throttle silencer for speed control, Type SDR

Connection size	Designation	Dimensions				
		A	ØB	C	D	SW
G 1/8"	SDR - 1/8	26	12	7	6	13
G 1/4"	SDR - 1/4	31	14	7	6	15

Fine adjustment throttle with silencer for speed control, Type FDS

Connection size	Designation	Dimensions			
		A	ØB	C	SW
G 1/8"	FDS - C - 1/8	35,5	10	6	14
G 1/4"	FDS - C - 1/4	38	14,5	8	17

Interface actuator/control valve



Accessories for pneumatic actuators

Throttles, Type SDR and FDS (for double-acting actuators)

Throttle plate, Type NDPE (for single-acting actuators)

Valve adapter, Type VPN

Product description

At single-acting actuators it is not possible to adjust positioning speed in both pivoting directions by simple throttles for outgoing air. For this kind of use the throttle plate, type DPE was worked out.

The assembling is done directly between NAMUR connection at actuator and NAMUR control valve.

The opening and closing time of actuator can be adjusted separately by two knurled thumb screws.

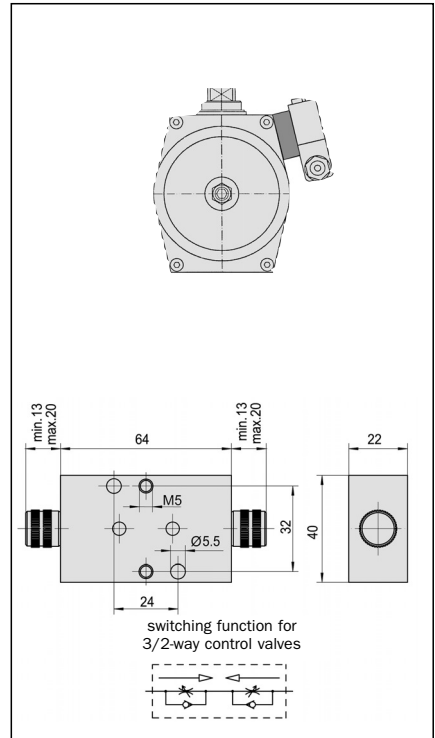
Delivery range: throttle plate, 2 NAMUR screws, gasket ring.

Materials:

Casing: AlCuMgPb F38, anodized
Sealings: NBR (nitrile rubber)
Inner parts: brass

Throttle plate for single-acting actuators, Type NDPE

Actuator type	Designation	Comment
GTE-046 - 300	NDPE - 046 - 300 - R	For actuator sizes 055-093 in connection with valve adapter use Type VPN



Product description

With valve adapters type VPN selected valves according to NAMUR recommendation or VDI/VDE 3845 can be flanged to actuators size GTD/GTE-055 up to GTD/GTE-093

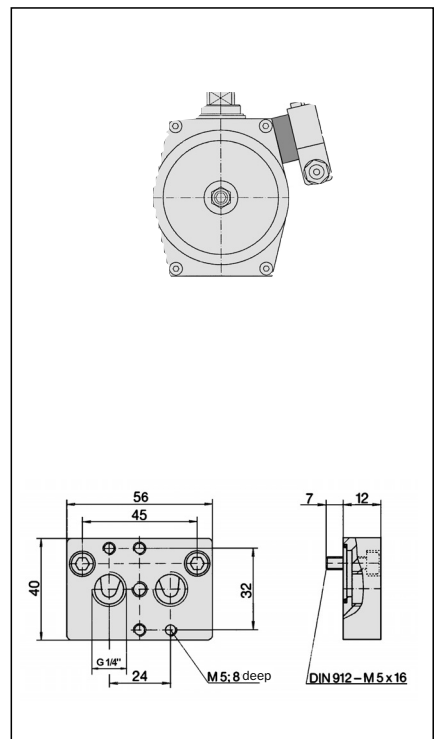
(Not necessary for actuators from GTD/GTE-110)

Delivery range: adapter, 2 fastening screws, 2 gasket rings

Material: aluminium alloy

NAMUR valve adapter, Type VPN

Actuator type	Designation	Comment
GTD / GTE 056/066/076 086/096	VPN - 056 - 096	On request NAMUR valve adapter belongs to delivery range.



bar GmbH
Auf der Hohl 1
53547 Dattenberg / Germany
Phone: +49 (0) 26 44 - 96 07-0
Fax: +49 (0) 26 44 - 96 07 35

www.bar-gmbh.com
eMail: sales@bar-gmbh.com



certificated acc. to DIN EN ISO 9001

bar