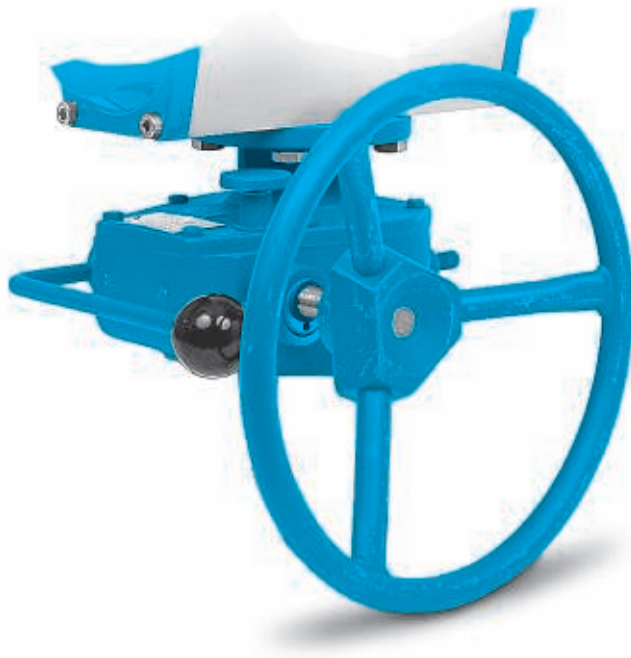


## Manual override gear

bar-actuators



### Type HNG

#### Product description

With the emergency hand actuator type HNG, automatic valves with double and single-acting actuators can be manually operated at any time.

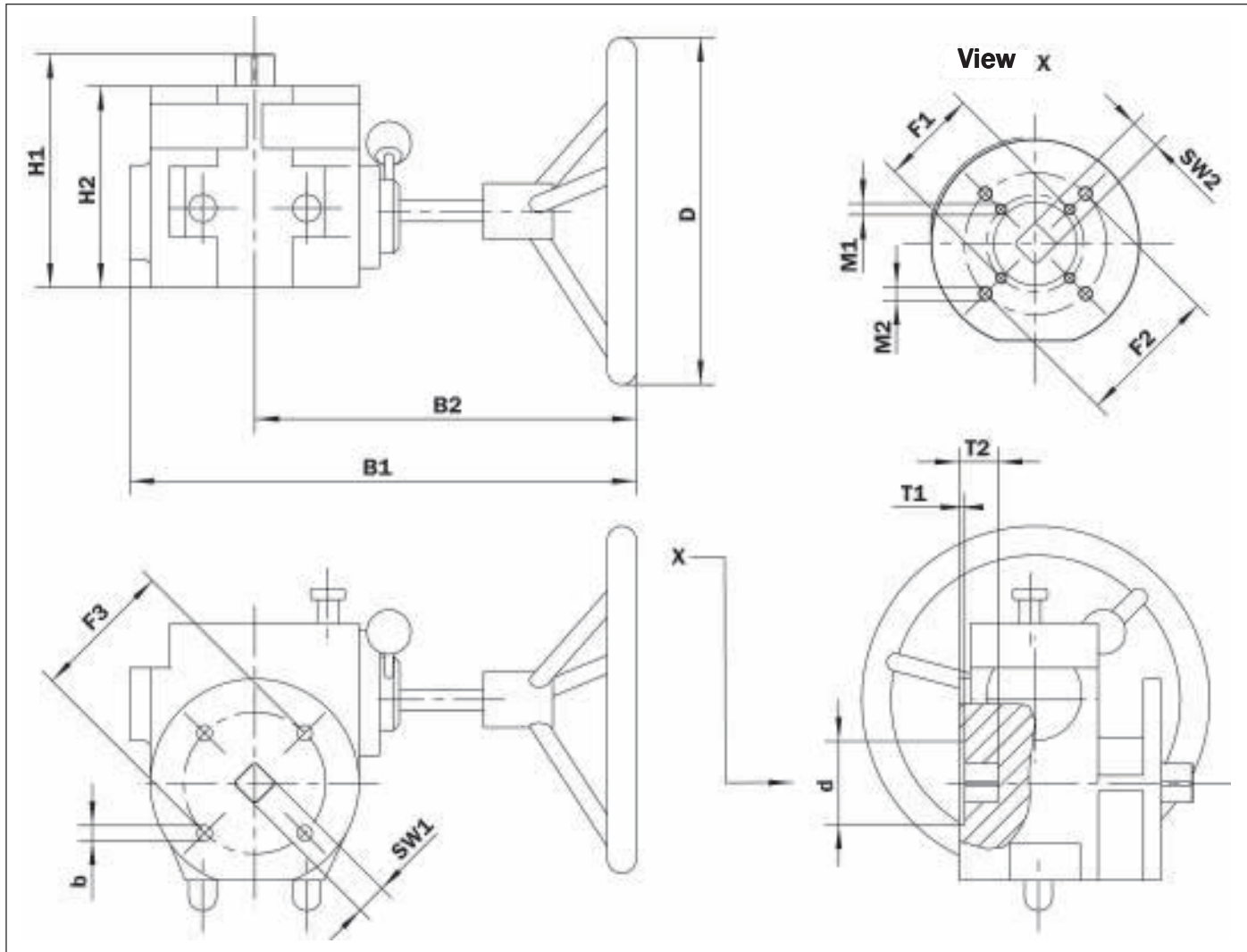
In the case of failure in the air or electricity supply the actuator can be operated by means of a disengageable worm drive with hand wheel.

A mounting kit between actuator and valve does not belong to the delivery package of the emergency hand actuator and is to be ordered separately.

(see price list CAD-Assembly and Mounting Service)

#### Technical data

<b>Type</b>	Self-braking worm drive with disengageable worm, Situated between valve and actuator
<b>Sizes</b>	6 versions, suitable for actuator sizes 078 to 300
<b>Pivoting angle</b>	90°
<b>Transmittable torques</b>	prepared for actuator controlling pressure from 3 to 6 bar, for 30 to 4.600 Nm
<b>Control pressure</b>	3 to 6 bar
<b>Gear materials</b>	
casing	GG25, painted
hand wheel	steel, welded and powder-coated
segment	GGG40
<b>Temperature range</b>	-20 °C to +95 °C
<b>Protection type</b>	IP 65
<b>Usage conditions</b>	in compliance with the Technical Data for standard actuators
<b>Extra options</b>	for other actuator sizes, pivoting angles and controlling pressures



**Dimension table of the manual override gear for bar-actuators**

For actuator size	Designation HNG	Flange symbol			M1	M2	SW1	SW2	B1	B2	H1	H2	ØD	Øb	Ød	T1	T2
		Ø F1	Ø F2	Ø F3													
GTD/E- 078	HNG-D+E-078-088-098	F05	F07	F07	M8	/	17	17	299	216	140	122	200	9	42	2	48
GTD/E- 088																	
GTD/E- 098																	
GTD/E- 110	HNG-D+E-110-115-127	F07	F10	F10	M8	M10	22	22	365	275	168	145	250	11	60	4	58
GTD/E- 115																	
GTD/E- 127																	
GTD/E- 143	HNG-D+E-143-163	F10	F12	F10	M10	M12	27	27	416	306	190	162	500	11	75	2	66
GTD/E- 163																	
GTD/E- 185	HNG-D+E-185-210	F10	F12	F14	M16	/	36	27	416	306	198	162	500	17	75	2	66
GTD/E- 210																	
GTD/E- 250	HNG-D+E-250-254	F16	/	F16	M20	/	46	46	484	356	241	194	600	22	102	3	92
GTD/E- 254																	
GTD/E- 300	HNG-D+E-300	F16	/	F16	M20	/	46	46	558	386	255	209	900	22	102	3	92

Data sheet Manual override gear Type HNG – Version 060811